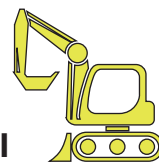


**Mulcher for excavators**



SKF - bearings and seals.  
We build exclusively with original SKF bearings and seals.



5 - 30 ton



Ø 12 cm



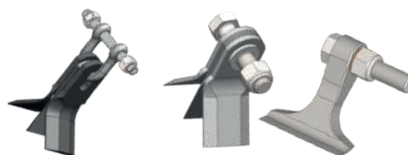
374 - 725



ton.



Kg.



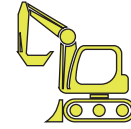
Lt./min.

<b>DK 10</b>	5 - 8	374	16	10	55 - 66 - 88
<b>DK 13</b>	8 - 12	461	20	12	66 - 88 - 100
<b>DK 16</b>	13 - 18	597	24	14	100 - 120 - 150
<b>DK 19</b>	18 - 23	653	28	18	100 - 120 - 150
<b>DK 22</b>	20 - 30	725	32	20	100 - 120 - 150

Mandatory drainage for counter-pressures above 7 bar.

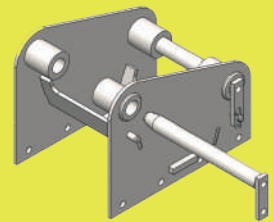
**Mulcher for excavators**

Rotation  
3000 rpm

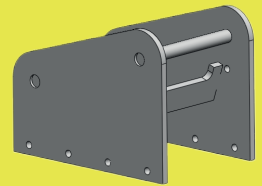


5 - 30 ton    Ø 12 cm    374 - 725

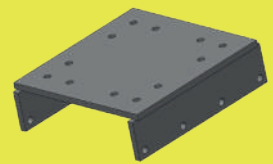
**Arm connection**



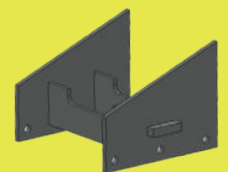
**VD 31 - 41\***  
Coupling with  
removable pins



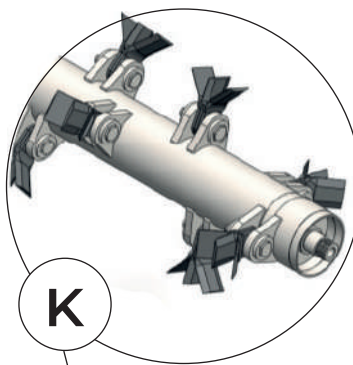
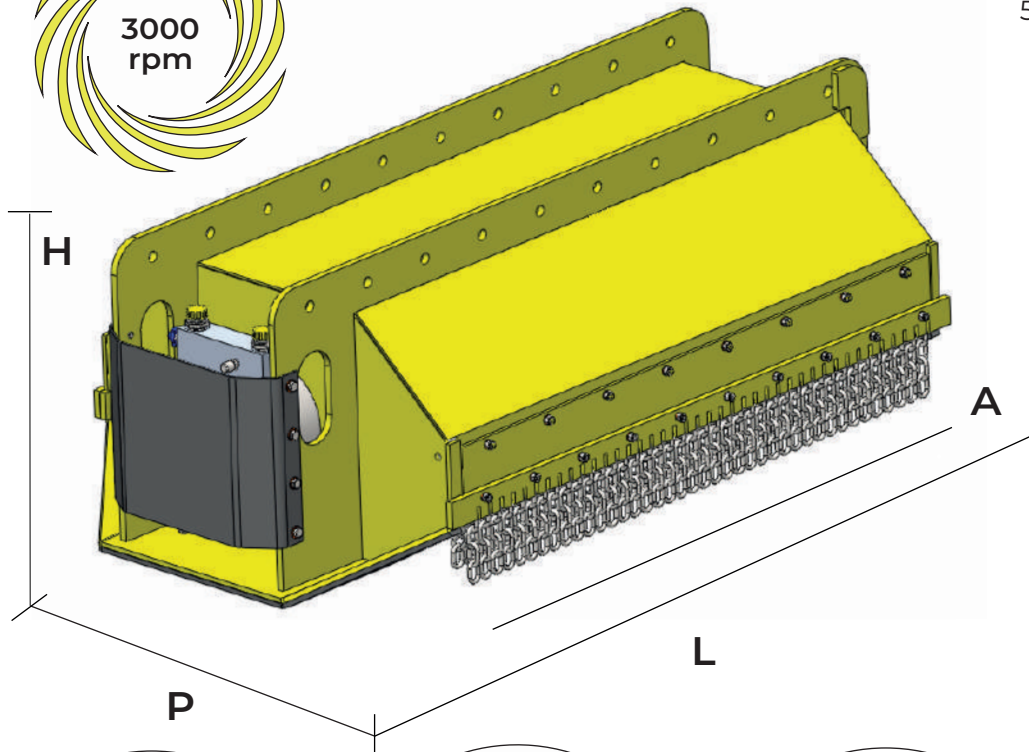
**VD 61 - 81\***  
Coupling with  
welded pins



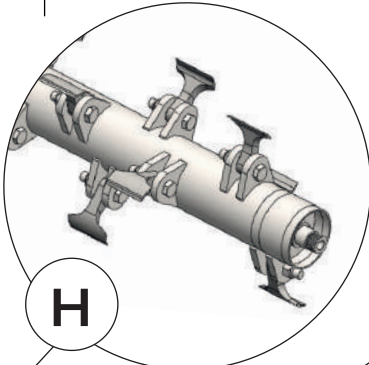
**VD 43**  
Bolted flat  
plate



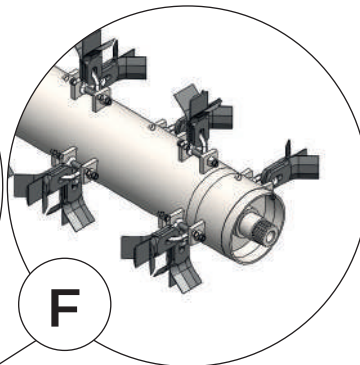
**VD 32 - 42\***  
Quick coupling  
adapter



**K**



**H**



**F**



<b>QA 21</b>	<b>QA 22</b>	<b>QA 20</b>
composed of:	composed of:	composed of:
1x knife I <b>90040</b>	1x hammer <b>90038</b>	1x knife I <b>90020</b>
2x knife / <b>90041</b>	1x screw M24 <b>02928</b>	2x knife / <b>90019</b>
2x washer <b>14025</b>	1x nut <b>02148</b>	1x u-bolt <b>90021</b>
1x screw M24 <b>02928</b>	2x washer <b>14502</b>	1x screw M12 <b>71235</b>
1x nut M24 <b>02148</b>		2x nut M12 <b>02901</b>

**MEASURES**

	A (mm.)	L (mm.)	H (mm.)	P (mm.)
<b>DK 10</b>	1080	1376	615	946
<b>DK 13</b>	1306	1674	615	946
<b>DK 16</b>	1574	1942	615	946
<b>DK 19</b>	1876	2244	615	946
<b>DK 22</b>	2157	2525	615	946